

# Café™ 30" Built-In Double Convection Wall Oven

CTD90FP4MW2 / CTD90FP3MD1

# CAFÉ



\$6199 MSRP

ALSO AVAILABLE IN



CTD90FP3MD1  
Matte Black with  
Brushed Stainless  
handles and knobs



## FEATURES & BENEFITS

Easily open both doors using a single hand with **French door design**.

Make crispy flat breads, golden cookies, and tender turkey dinners with **True European Convection with Direct Air** that uses a variable speed fan to circulate heat from the top down.

Control your oven from any room in the house with your Smart phone using **WiFi Connect**.

When you're updating your kitchen, attention to detail is a priority. That's why Café wall ovens are guaranteed for an exact fit for an easy and seamless replacement.

Easily remove everything from heavy roasts to delicate desserts with **self-clean roller racks** that stay in both ovens during the self-clean cycle.

See your soufflé's rise without opening the door with **halogen oven lighting**.

Cook different recipes at the same time with independently controlled **double ovens, totaling 10 cu. ft.**

Achieve an even bake, every time, no matter the size with a **ten-pass bake element**.

Achieve an even brown, every time, no matter the size with a **ten-pass dual broil element**.

## APPEARANCE

|                    |   |
|--------------------|---|
| Oven Door Features | Dual Window; French-Door (Upper); Big View Oven Window; Drop-Down (Lower) |
| Handle             | GE Café   |
| Installation       | Above Warming Drawer  |

## FEATURES

|                           |   |
|---------------------------|---|
| Configuration             | Double Oven   |
| Cooking System            | True European Convection with Direct Air (Both Ovens)   |
| Oven Cleaning Type        | Self-Clean with Steam Clean Option  |
| Cleaning Time             | Variable with Delay Clean Option  |
| Oven Cooking Modes        | Convection Bake (Both Ovens); Convection Bake Multi-Rack (Both Ovens); Convection Broil (Both Ovens); Convection Roast (Both Ovens); Crisp Broil (Both Ovens); Thermal Bake (Both Ovens); Thermal Broil (Both Ovens)  |
| Self-Clean Oven Door Lock | Automatic   |
| Control Type              | Dial; Glass Touch; LCD  |
| Oven Features             | 10-Pass Bake Element; 10-Pass Broil Element; Closed Door Broiling   |
| Oven Rack Features        | 1 Self-Clean Heavy-Duty Rack (Both Ovens); 2 Self-Clean Roller Racks (Both Ovens); 6 Ladder-Rack Positions (Both Ovens)   |
| Oven Control Features     | Audible Preheat Signal; Auto Recipe Conversion (Both Ovens); C° or F° Programmable; Certified Sabbath Mode; Control Lock Capability; Cook Time; Delay Time; Digipad Numeric Entry; Electronic Clock & Kitchen Timer; Hi / Low / Crisp Broil (Both Ovens); Mis-Wire Detection; Optional Clock Display; Temperature Probe (Both Ovens); Proof Mode (Both Ovens); Warm Mode (Both Ovens) |
| WiFi Connect              | Built-In  |
| Connected Capabilities    | Amazon Alexa; The Google Assistant; IFTTT; Nest; Drop; Innit; DiGiorno  |
| Cooking Technology        | Convection  |
| Oven Interior             | 3 Halogen Interior Oven Lights (Both Ovens); Black Gloss Finish; Hidden Bake (Both Ovens)   |

## CAPACITY

|                    |                       |
|--------------------|-----------------------|
| Capacity (Cu. Ft.) | 5.0 Upper / 5.0 Lower |
|--------------------|-----------------------|

## POWER / RATINGS

|                    |                     |
|--------------------|---------------------|
| Amp Rating at 208V | 40                  |
| Amp Rating at 240V | 40                  |
| Bake Wattage       | 2850W               |
| Broiler Wattage    | 4300W; Dual Element |
| Convection Wattage | 2400W               |
| KW Rating at 208V  | 6.8                 |
| KW Rating at 240V  | 9                   |

## WEIGHTS & DIMENSIONS

|                                     |                            |
|-------------------------------------|----------------------------|
| Approximate Shipping Weight         | 398 lb                     |
| Net Weight                          | 270 lb                     |
| Overall Height                      | 53 in                      |
| Overall Width                       | 29 3/4 in                  |
| Overall Depth                       | 27 3/4 in                  |
| Cabinet Width                       | 30 in                      |
| Cutout Dimensions (w x h x d) (in.) | 28-5/8 x 51 15/16 x 23-1/2 |
| Oven Interior Dimensions (lower)    | 25 x 17-3/8 x 20-1/4       |
| Oven Interior Dimensions (upper)    | 25 x 17-3/8 x 20-1/4       |

# Café™ 30" Built-In Double Convection Wall Oven



CTD90FP4MW2 / CTD90FP3MD1

## WARRANTY

|                |                                       |
|----------------|---------------------------------------|
| Parts warranty | Limited 1-year entire appliance       |
| Labor warranty | Limited 1-year entire appliance       |
| Warranty notes | See written warranty for full details |

## DIMENSIONS AND INSTALLATION INFORMATION

**Note:** These ovens are not approved for stackable installations. Cabinets installed adjacent to wall ovens must have an adhesion spec of at least a 194°F temperature rating.

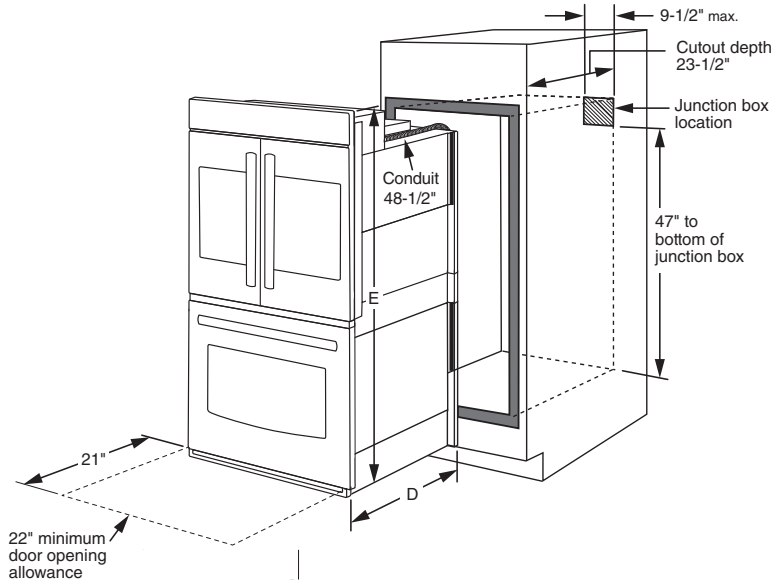
Door handle protrudes 2-1/2" from door face. Cabinets and drawers on adjacent 45° and 90° walls should be placed to avoid interference with the handle.

**Electric wall ovens are not approved for installation with a plug and receptacle. They must be hard wired in accordance with installation instructions.**

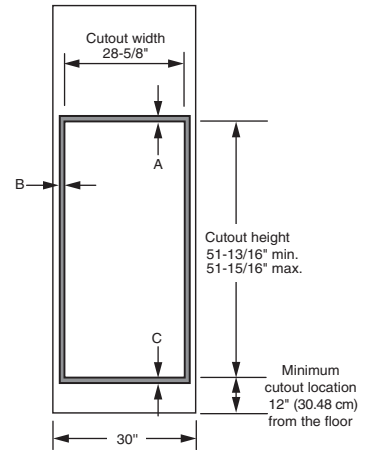
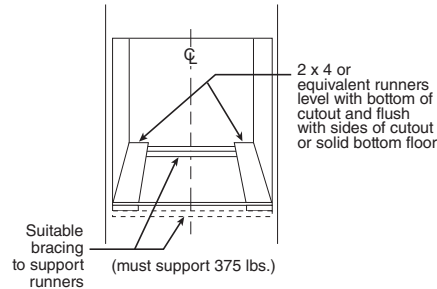
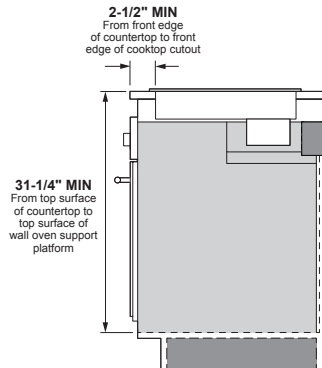
### Installation Information:

Before installing, consult installation instructions packed with product for current dimensional data and for alternate installation options.

**Note:** A minimum gap of 14" from either side of the wall oven to an adjacent 45 or 90 cabinet, drawer or wall is required to avoid interference with the opening of the doors. The handles protrude 2-1/2" from the door face.



### Installation above a wall oven



| Cabinet  | 30"     |
|--|---------|
| A – Overlap of oven at top of cutout             | 1 1/4"  |
| B – Overlap of oven over side of edges of cutout | 3/4"    |
| C – Overlap of oven at bottom of cutout          | 1-1/4"  |
| Oven   |         |
| D – Overall depth                                | 27-3/4" |
| E – Overall height with trim                     | 53"     |
| F – Overall width                                | 29-3/4" |

## ADDITIONAL ACCESSORIES



CXWDFHKPMBZ  
Brushed Bronze  
3 handles, 4 knobs  
(standard on Matte White)



CXWDFHKPMSS  
Brushed Stainless  
3 handles, 4 knobs  
(standard on Matte Black)



CXWDFHKPMBT  
Brushed Black  
3 handles, 4 knobs



CXWDFHKPMCUC  
Brushed Copper  
3 handles, 4 knobs